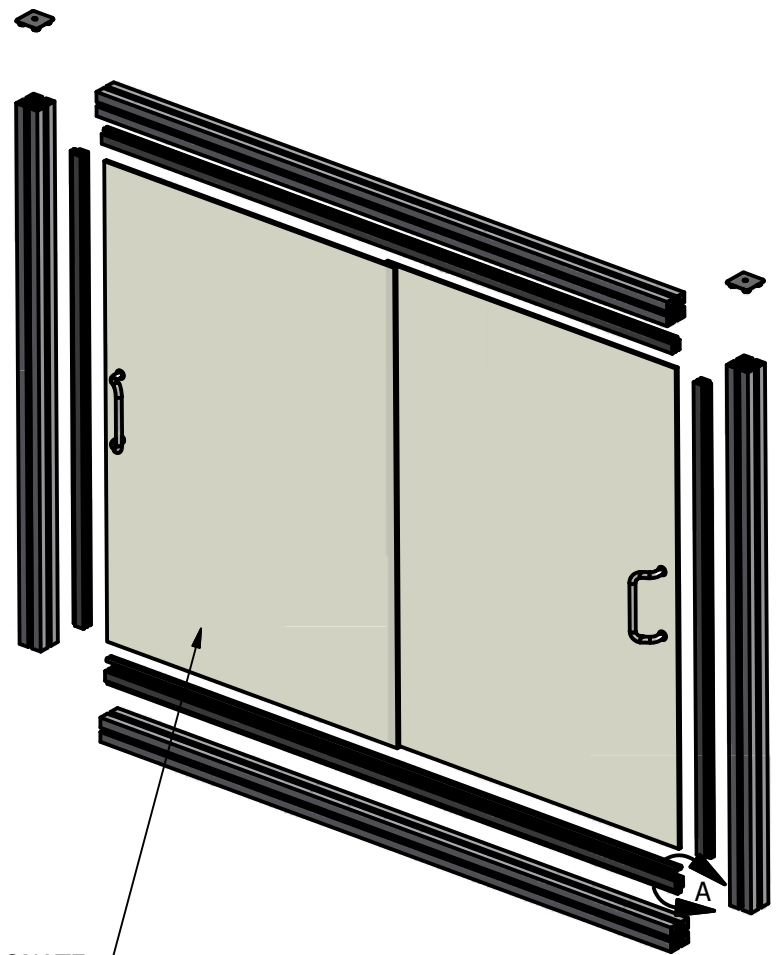
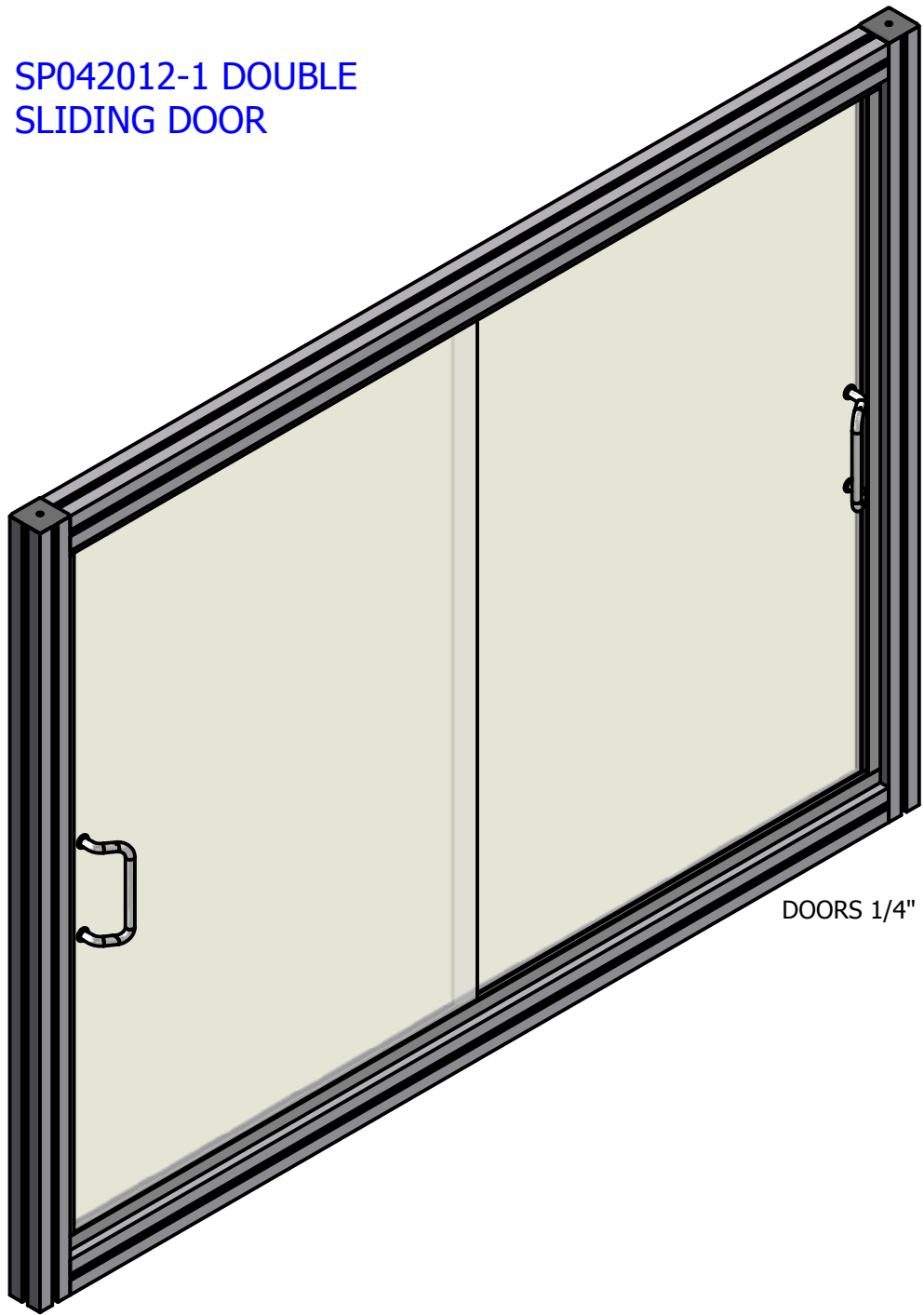


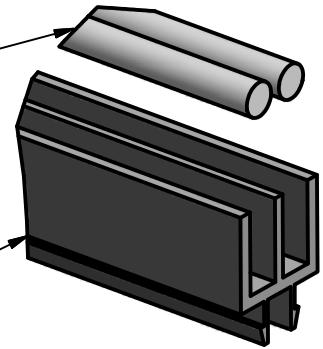
SP042012-1 DOUBLE
SLIDING DOOR



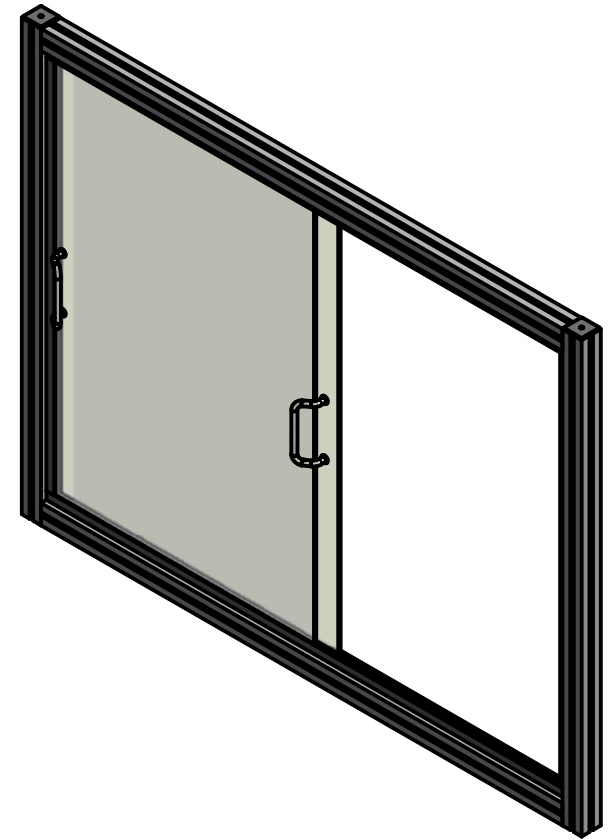
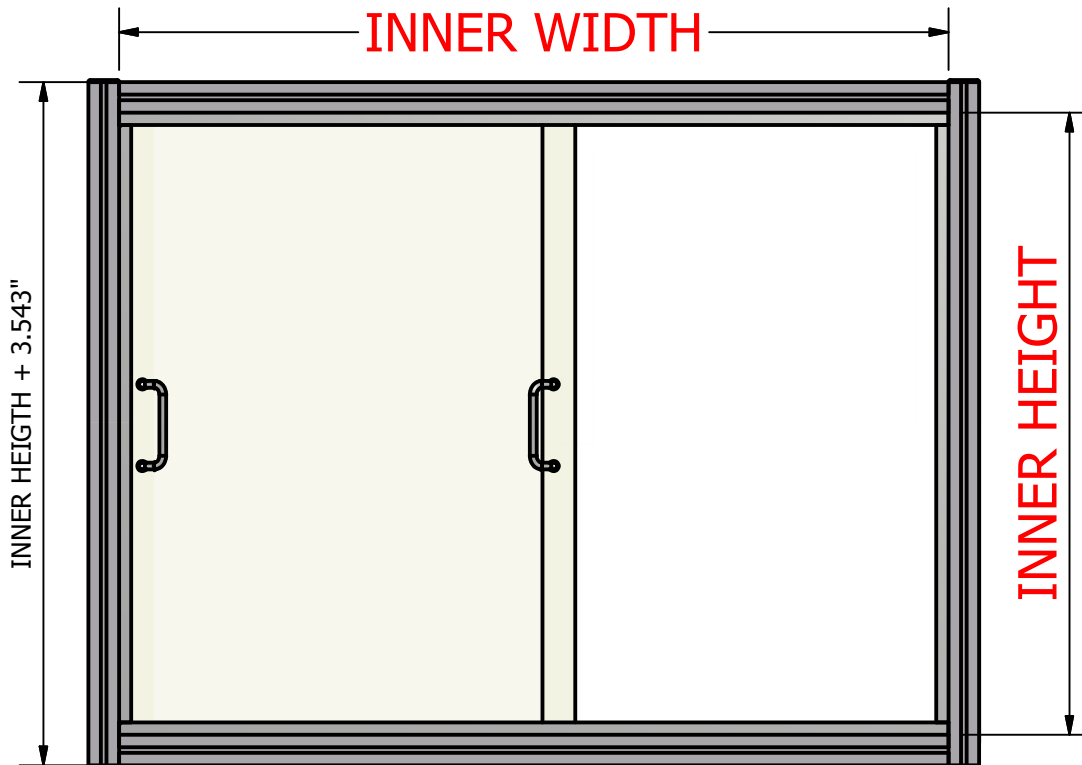
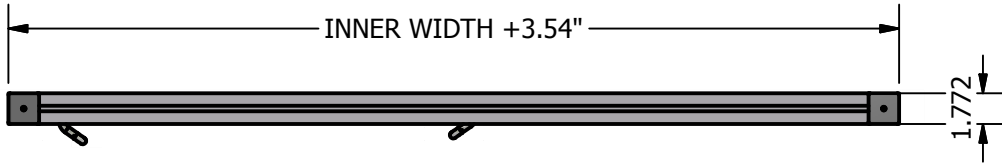
DOORS 1/4" CLEAR POLYCARBONATE
(LEXAN®) OR SPECIFY

PVC BAR ALLOWS
PANELS TO LIFT OUT

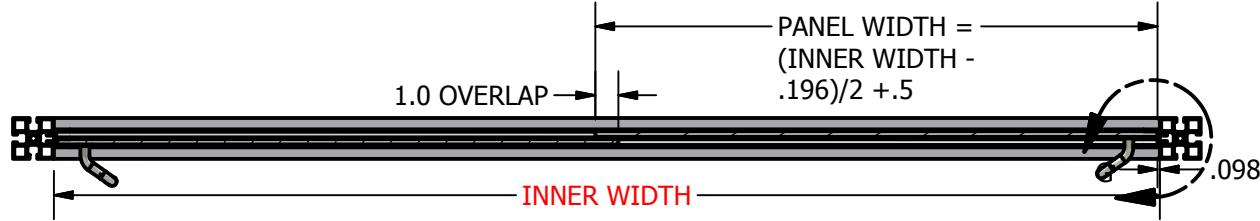
GUIDE PROFILE 2



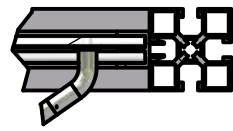
DETAIL A
SCALE .8



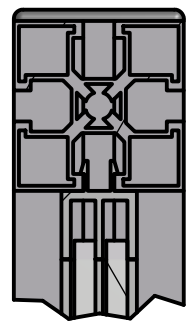
FOR A QUOTE SPECIFY:
INNER WIDTH =
INNER HEIGHT =
LIFT OUT DOORS YES NO



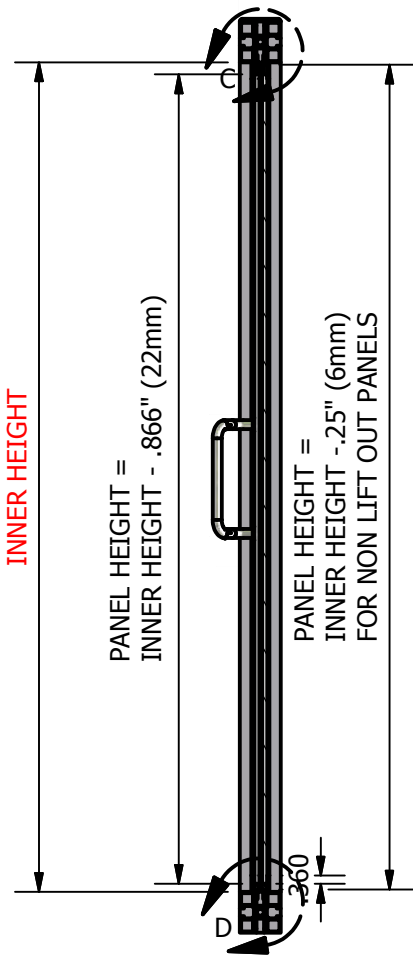
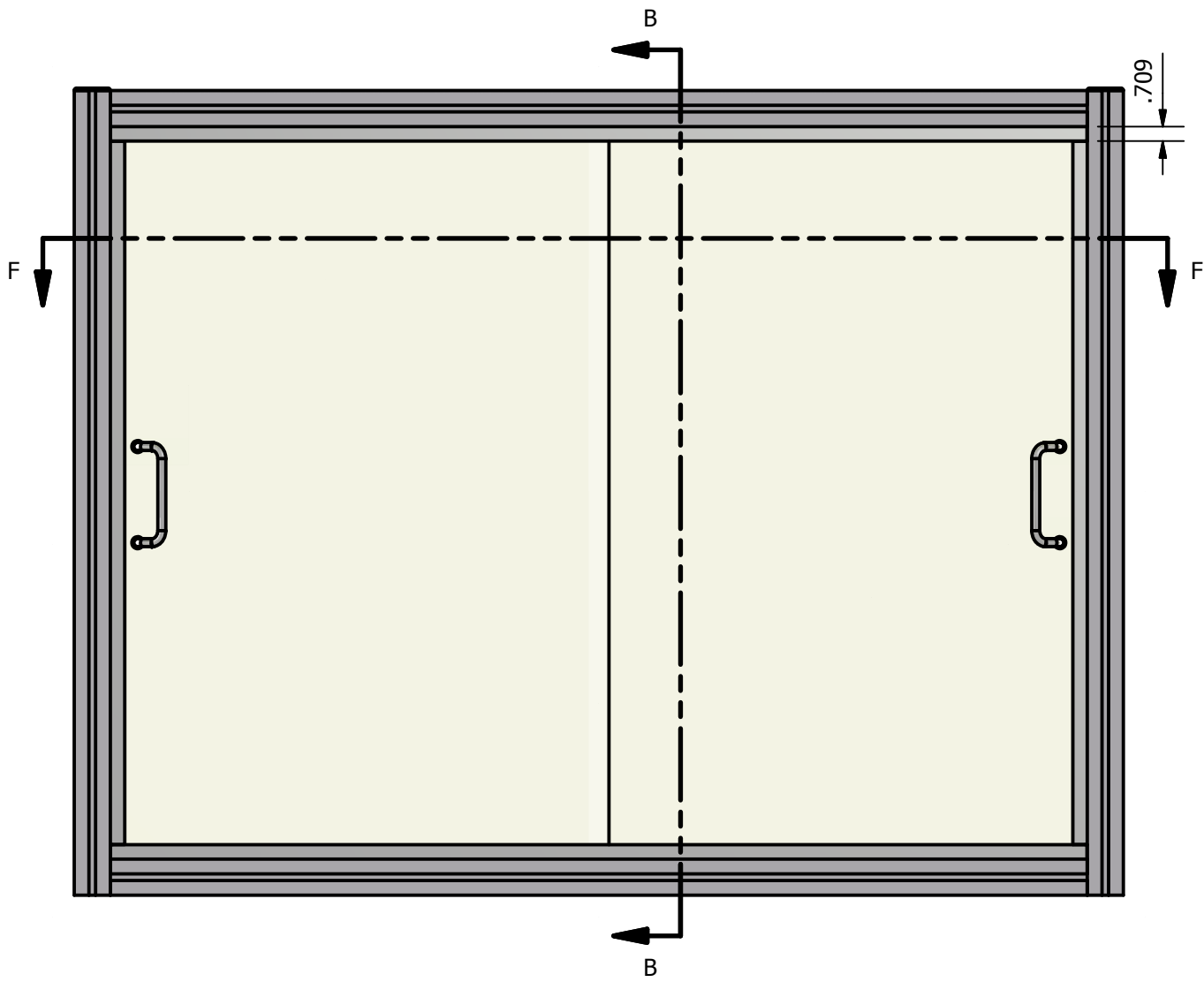
SECTION F-F
SCALE .12



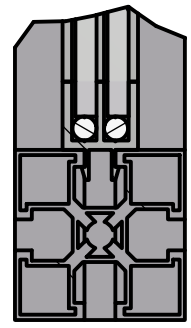
DETAIL G
SCALE 0.24 : 1



DETAIL C
SCALE .5



SECTION B-B
SCALE .12



DETAIL D
SCALE .5